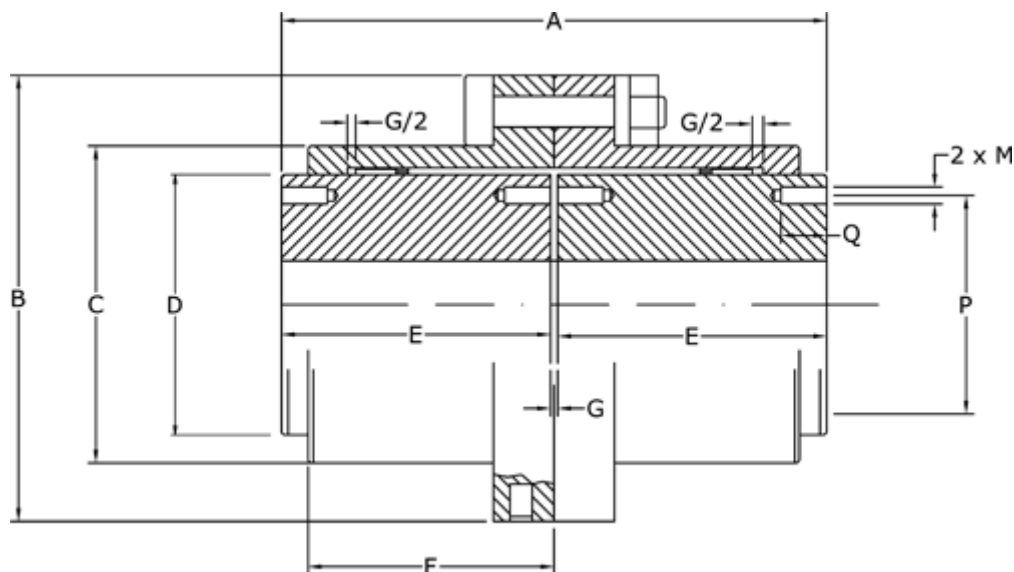


Article number: 3311F275

Description: Gear Coupling FST275 without bore

## Measures



A = 450

B = 506

C = 426

D = 372

E = 220

F = 183.5

G = 10

M = M20

P = 330

Q = 30